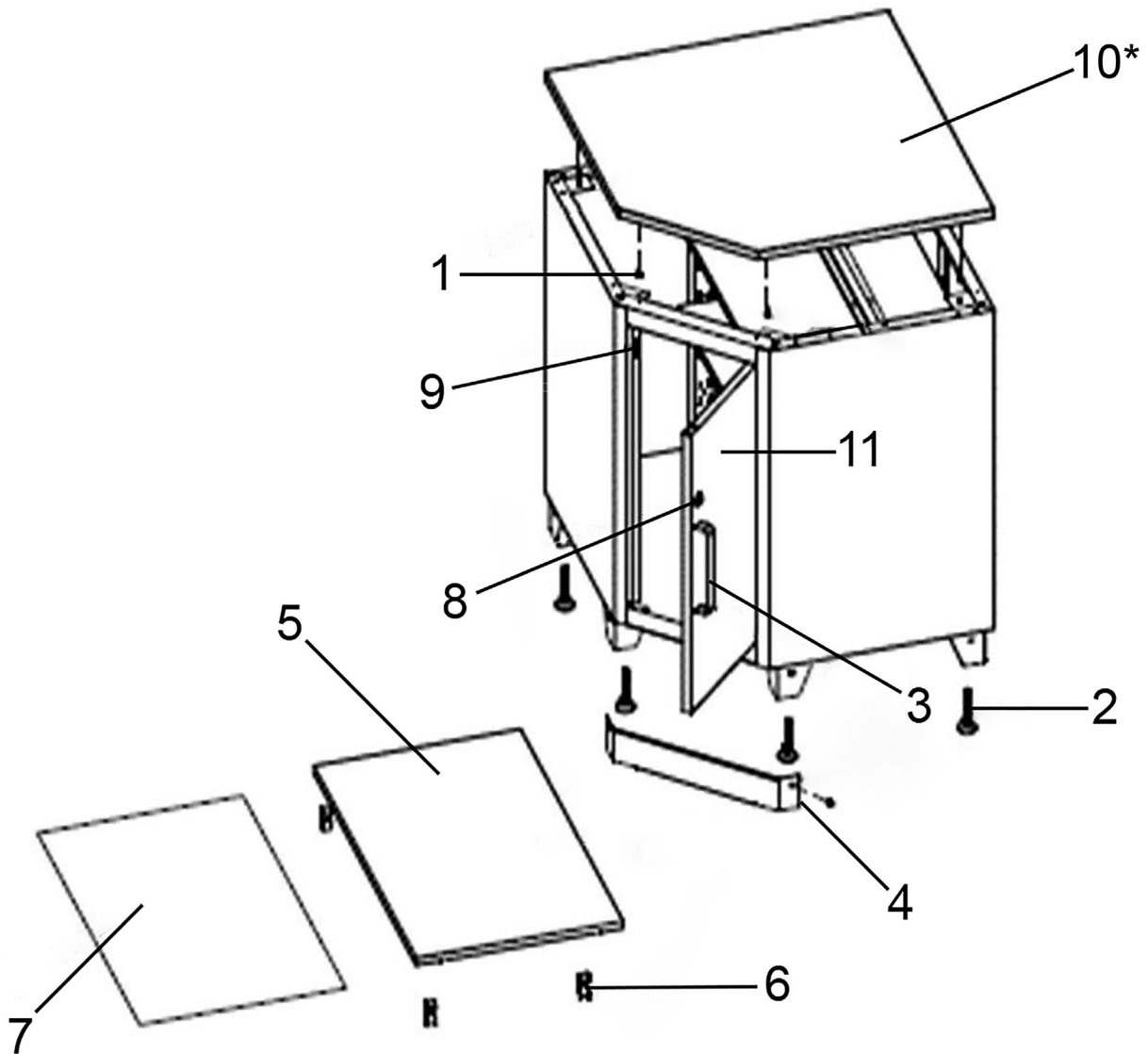


Parts Information:
Modular Corner Floor Cabinet 930mm
Heavy-Duty
Model No: APMS15



Item	Part No.	Description
1	APMS-320122	Bolt, Hex Flange M4.8 x 25mm
2	APMS-313004	Adjustable Foot
3	APMS-301650	Handle
4	APMS-233929	Skirting Board
5	APMS-233926	Shelf 580 x 390 x 35mm
6	APMS-226078	Support, Shelf
7	APMS-551770	Shelf Liner 900 x 560mm
8	PTB-304007	Lock And Key (Number 1201)
8	PTB-304007A	Lock And Key (Number 1202)

Item	Part No.	Description
8	PTB-304007B	Lock And Key (Number 1203)
8	PTB-304007C	Lock And Key (Number 1204)
9	APMS-312033	Door Magnet
10*	APMS18	Oak Corner Worktop 930mm (See Catalogue)
10*	APMS19	Stainless Steel Corner Worktop 930mm (See Catalogue)
11	APMS-116267	Door (c/w Handle, Lock & Key)
--	PTB-310157	Sealey Zinc Badge (Not Shown)
--	PTB-310158	Premier Zinc Badge (Not Shown)

NOTE: It is our policy to continually improve products and as such we reserve the right to alter data, specifications and component parts without prior notice. There may be alternative versions of this product, please contact us should you require this information.

IMPORTANT: No liability is accepted for incorrect use of product. Spare parts must be fitted by a competent person

WARRANTY: Guarantee is 12 months from purchase date, proof of which will be required for any claim.